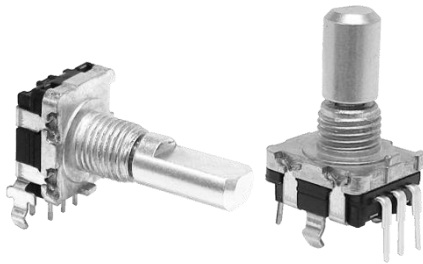


11mm Size WATER-PROOF Encoder



◆FEATURE

- High-precision rotary type encoder.
- Compact design, long life and high reliability.
- Low cost as compared with optical type.
- Available in a wide variety of line up to meet all user needs.
- Support waterproof function (IPX7)

◆APPLICATIONS

- All kinds of level control, tuning and timer setting in audio-visual equipment, ordinary household electric appliances, radio equipment, communications equipment, etc.

◆ COMMON SPECIFICATIONS

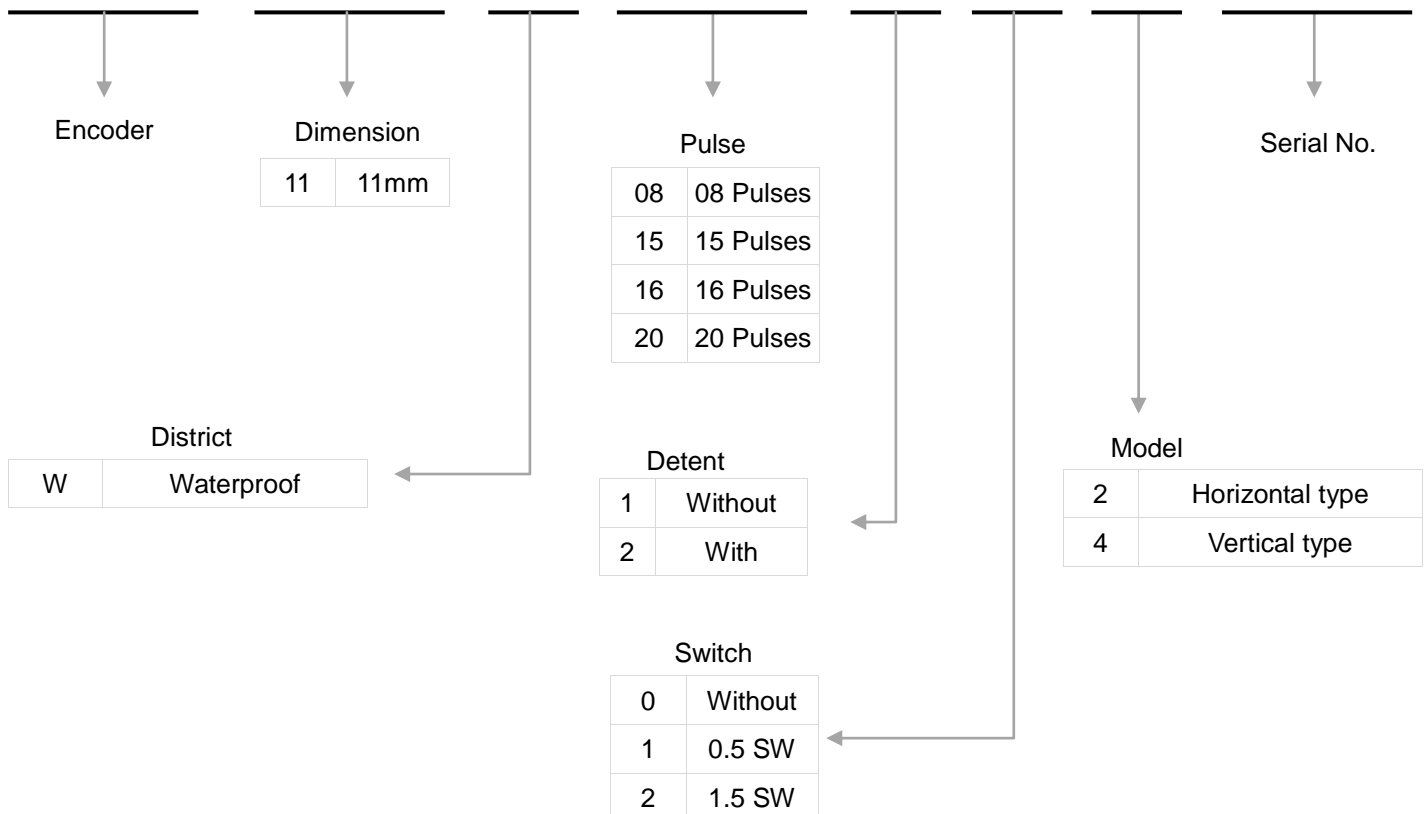
Pulse	Number of detent	Phase difference (msec)	Chattering (msec)	Sliding noise (msec)	Insulation resistance	Dielectric strength	Detent torque (gf · cm)	Rotational life (cycle)
8	0	6	3	3	250V DC 100MΩ MIN	300V AC 1 min	10~80 (0 Detent: 50gf · cm max.)	15,000
	16							
15	0	6	2	2				
	30							
16	0	4	3	3				
	16							
20	0	4	2	2				
	20							

◆ SWITCH SPECIFICATIONS

Rating	Contact resistance	Insulation resistance	Dielectric strength	Contact arrangement	Travel of switch (mm)	Operating force (gf)	Operating life(cycle)
DC 5V10 mA	100 mΩ	250V DC 100MΩ MIN	300V AC 1 min	PUSH ON	0.5	600±300	20,000
					1.5	400±200	

◆ PRODUCT NUMBERING SYSTEM

D	C	1	1	W	2	0	2	1	4	0	1
---	---	---	---	---	---	---	---	---	---	---	---



◆ BUSHING & SHAFT TYPE

Bushing	Flat	Knurled

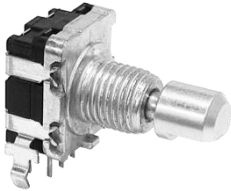
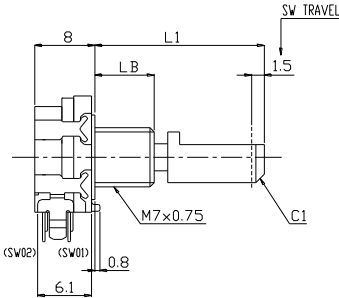
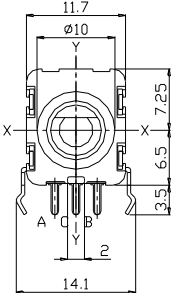
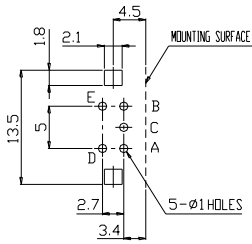

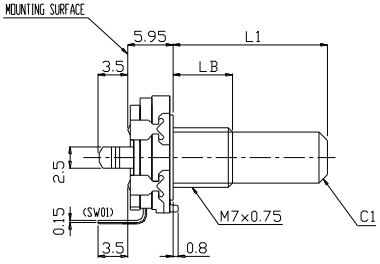
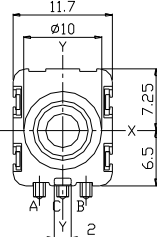
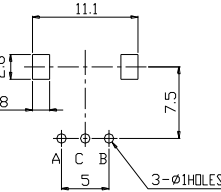
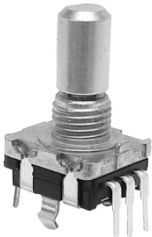
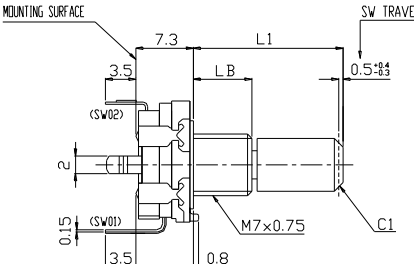
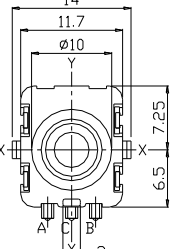
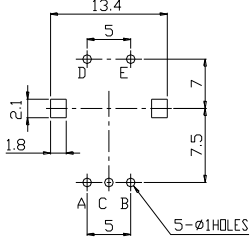

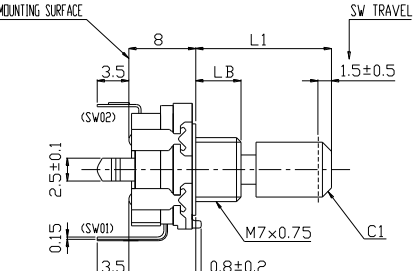
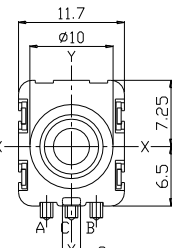
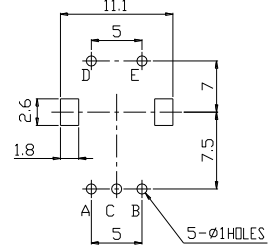
◆ STANDARD DIMENSION OF SHAFT AND BUSHING

Dimension	LB	L1
	5	15 · 20
	7	20 · 25
	5	15 · 20
	7	20 · 25

◆ DIMENSIONS Unit : mm

Model	Dimensions
DC11W2020 horizontal type 	
DC11W2012 with push on switch -0.5mm horizontal type 	

DIMENSIONS Unit : mm

Model	Dimensions		
<p>DC11W2022 with push on switch –1.5mm horizontal type</p> 	 <p>SW TRAVEL 8 L1 1.5 LB M7×0.75 C1 (SW02) (SW01) 0.8 6.1</p>	 <p>11.7 ∅10 Y X 7.25 6.5 3.5 14.1 A C B Y 2</p>	 <p>MOUNTING SURFACE 1.8 2.1 4.5 13.5 5 E B C A D 2.7 3.4 5-∅1HOLES MOUNTING DETAIL VIEWED FROM MOUNTING SIDE</p>
<p>DC11W2024 vertical type</p> 	 <p>MOUNTING SURFACE 5.95 L1 LB M7×0.75 C1 2.5 0.15 (SW01) 3.5 0.8</p>	 <p>11.7 ∅10 Y X 7.25 6.5 2 A C B Y</p>	 <p>11.1 2.6 1.8 7.5 A C B 5 3-∅1HOLES MOUNTING DETAIL VIEWED FROM MOUNTING SIDE</p>
<p>DC11W20214 with push on switch – 0.5mm vertical type</p> 	 <p>MOUNTING SURFACE 7.3 L1 SW TRAVEL LB M7×0.75 C1 (SW02) (SW01) 2 0.15 3.5 0.8 0.5±0.4</p>	 <p>14 11.7 ∅10 Y X 7.25 6.5 2 A C B Y</p>	 <p>13.4 5 7 2.1 1.8 7.5 A C B 5 5-∅1HOLES MOUNTING DETAIL VIEWED FROM MOUNTING SIDE</p>
<p>DC11W20224 with push on switch –1.5mm vertical type</p> 	 <p>MOUNTING SURFACE 8 L1 SW TRAVEL LB M7×0.75 C1 (SW02) (SW01) 2.5±0.1 0.15 3.5 0.8±0.2 1.5±0.5</p>	 <p>11.7 ∅10 Y X 7.25 6.5 2 A C B Y</p>	 <p>11.1 5 7 2.6 1.8 7.5 A C B 5 5-∅1HOLES MOUNTING DETAIL VIEWED FROM MOUNTING SIDE</p>