



### ◆FEATURE

- Provides high-level operation feeling.
- Hollow-center allows combination with other components.

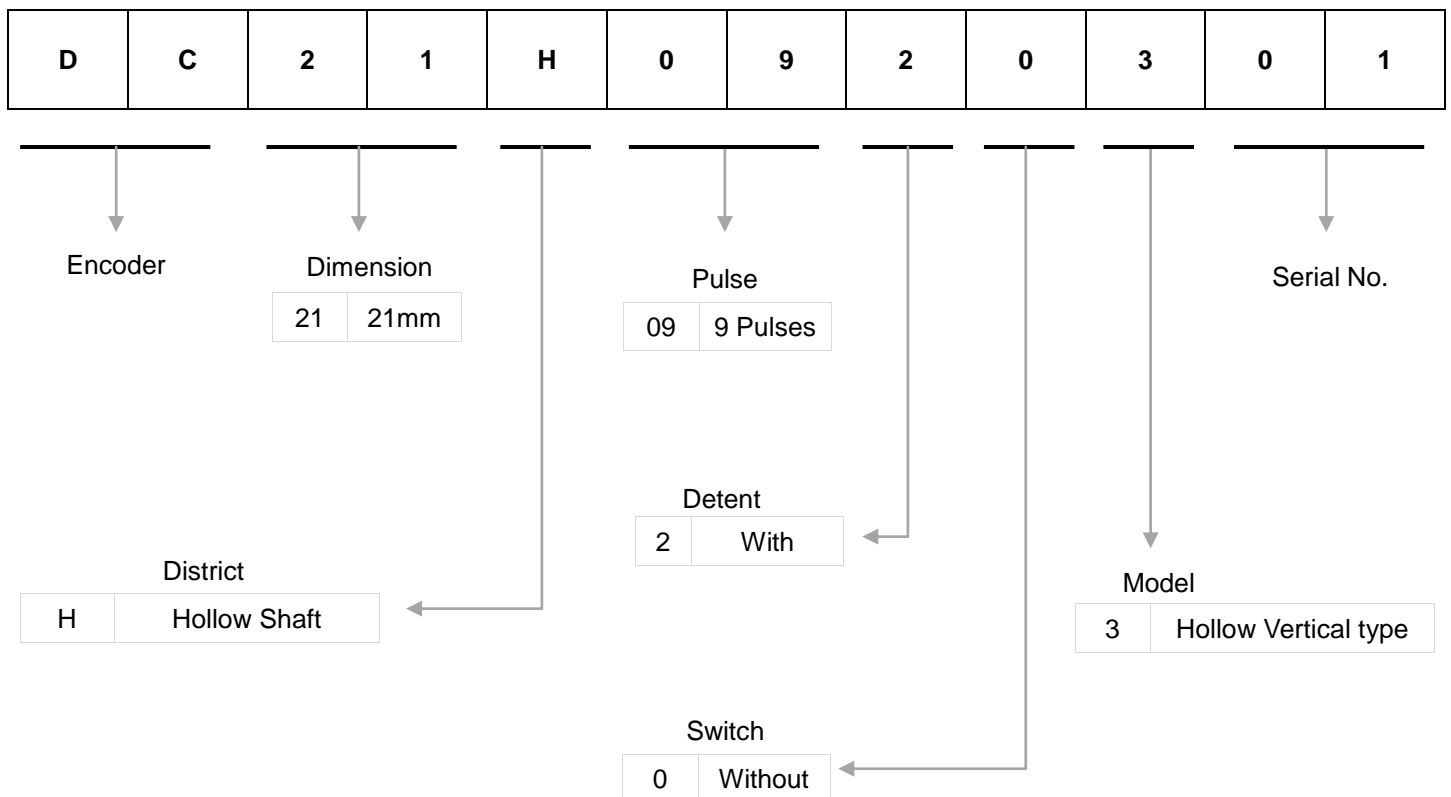
### ◆APPLICATIONS

- Electronic control panel in cars or navigation equipment, professional mixers, and various audio-visual devices.
- Air conditioners, electronic toys, microwave ovens, rice cookers, flat panel TV, remote controllers and various electronics.


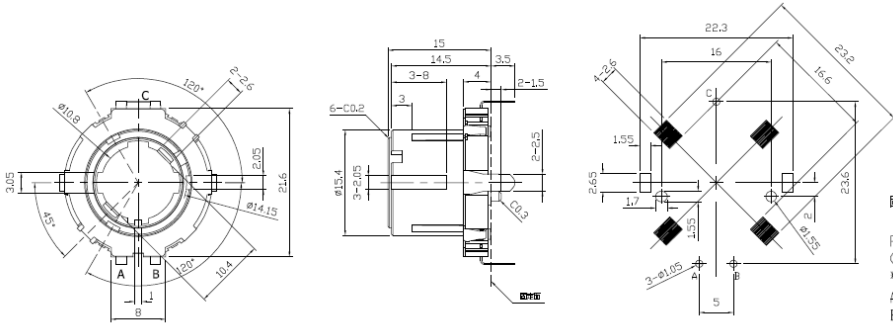
### ◆ COMMON SPECIFICATIONS

Pulse	Number of detent	Phase difference (msec)	Chattering (msec)	Sliding noise (msec)	Insulation resistance	Dielectric strength	Detent torque (gf · cm)	Rotational life (cycle)
9	18	13	8	3	250V DC 100MΩ MIN.	300V AC 1 min	70~170	50,000

### ◆ PRODUCT NUMBERING SYSTEM



DIMENSION Unit : mm

Model	Dimensions
<p><b>DC21H0920301</b></p> 	 <p>           固定板尺寸圖(容許差 ±0.1)            ※從插入側觀察            PC BOARD MOUNTING DETAIL            (TOLERANCE±0.1)            ※VIEWED FROM MOUNTING SIDE            A SLANT LINE PART SHOWS THE SOLDER LAND.            BLACK PART: NO SOLDER AND NO WIRING FOR ELECTRICAL CONTACT.         </p>