



◆FEATURE

- Provides high-level operation feeling.
- Hollow-center allows combination with other components.

◆APPLICATIONS

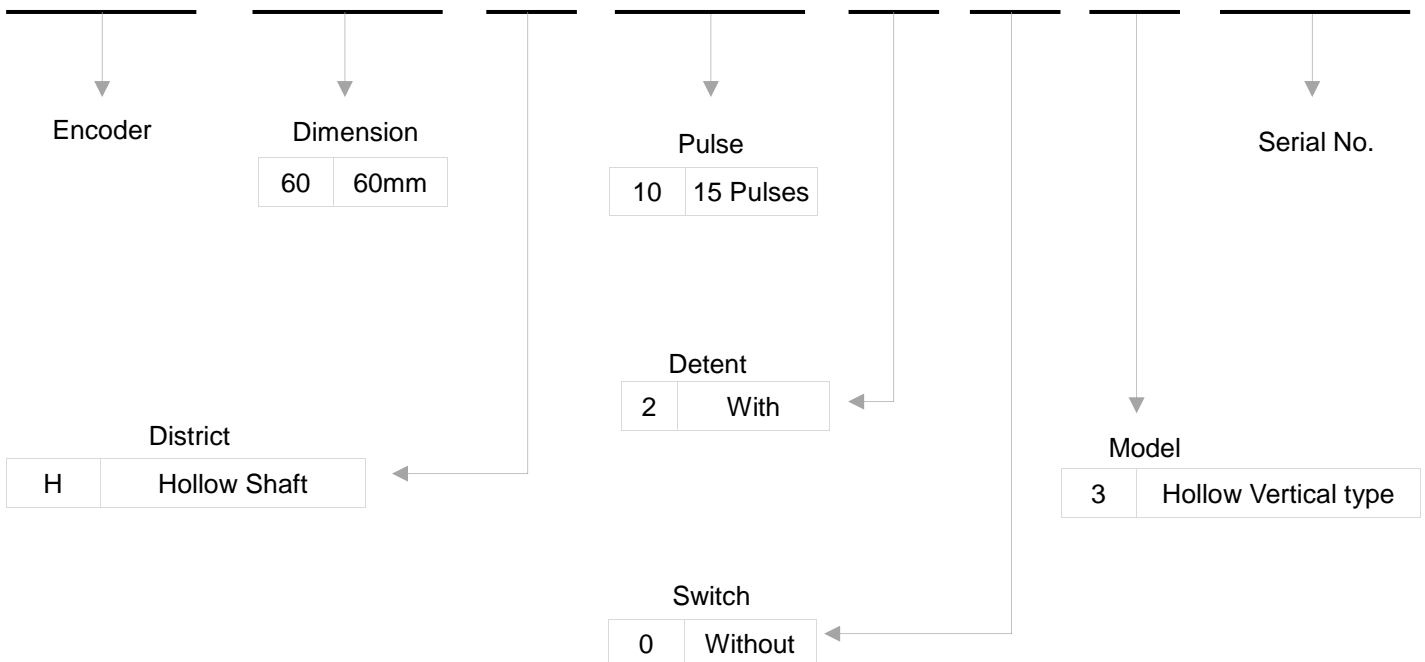
- Electronic control panel in cars or navigation equipment, professional mixers, and various audio-visual devices.
- Air conditioners, electronic toys, microwave ovens, rice cookers, flat panel TV, remote controllers and various electronics.

◆ COMMON SPECIFICATIONS


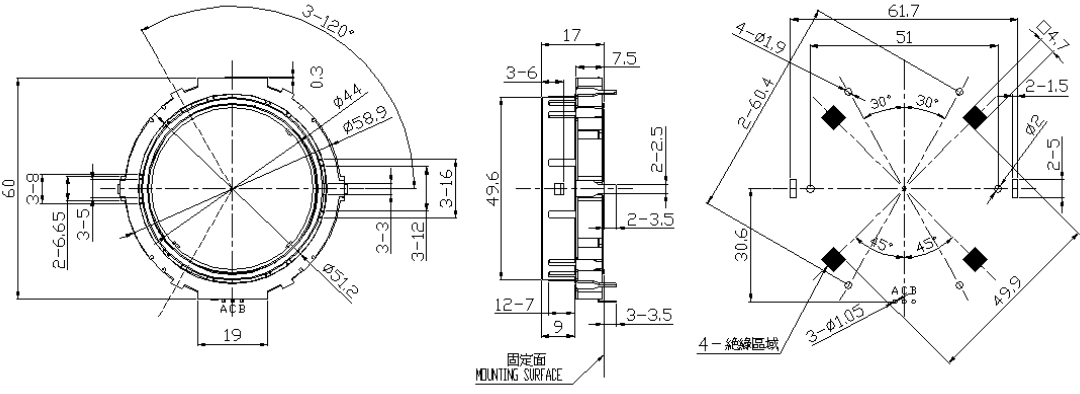
Pulse	Number of detent	Phase difference (msec)	Chattering (msec)	Sliding noise (msec)	Insulation resistance	Dielectric strength	Detent torque (gf · cm)	Rotational life (cycle)
15	30	4	2	2	100V DC 100MΩ MIN.	100V AC 1 min	400±100	40,000

◆ PRODUCT NUMBERING SYSTEM

D	C	6	0	H	1	5	2	0	3	0	1
---	---	---	---	---	---	---	---	---	---	---	---



DIMENSION Unit : mm

Model	Dimensions
<p>DC60H15203</p> 	 <p>The technical drawing includes the following dimensions and features:</p> <ul style="list-style-type: none"> Front View: Outer diameter 60, inner diameter $\phi 58.9$, shaft diameter $\phi 4.4$, and a 3-120° chamfered edge. Mounting holes are spaced 3-8, 2-6.65, 3-5, 3-3, 3-12, and 3-16. A 19mm wide section is marked with A and B. Side View: Total height 49.6, mounting surface height 12-7, and shaft length 17. Other dimensions include 3-6, 7.5, 2-2.5, 2-3.5, and 3-3.5. Top View: Square footprint with side length 61.7 and a 51mm square inner area. It shows 4 mounting holes with a diameter of $\phi 1.9$ and 4 wiring holes with a diameter of $\phi 1.05$. Angles of 30°, 30°, 45°, and 45° are indicated. Other dimensions include 2-60.4, 2-1.5, 2-5, 30.6, 49.9, and 2-5.